

FACADE

TENTAL 60 MT

MULLION-TRANSOM

➤ THE CIRCULAR FACADE

The TENTAL 60 MT curtain wall was created with a view to offering architects and consultants an extensive range of solutions, giving them as much creative freedom as possible when designing a facade.

AESTHETICS AND MODULARITY

- Multiple exterior design options
- A full range of colors and surface treatments
- Compatible with a full range of windows, doors and sliding systems
- Mullion - Transom construction with the benefits to use the same system for both facade and sloped glazing.
- Mullion drained construction.

GREAT POSSIBILITIES

- Maximum infill weight: up to 850 kg
- Maximum glazing thickness 62 mm
- Down to 10° roof slope

INSTALLATION AND ASSEMBLY

- Several installation options of glass and fillings

SUSTAINABLE CIRCULAR FACADE

- Designed for assembly and disassembly
- Components are made of 75% recycled and 95% recyclable material
- Cradle to Cradle® Silver certification
- Available in Hydro CIRCAL®, aluminium made with a minimum of 75% recycled end-of-life aluminium. This aluminium has one of the lowest CO₂ footprints worldwide: 1.9 kg of CO₂/kg aluminium.
- Dynamic EPD available on TechDesign

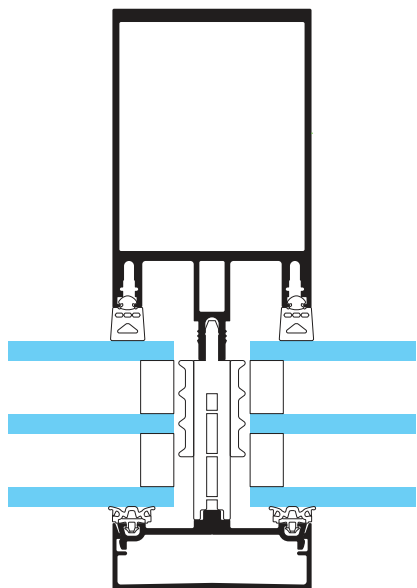
PERFORMANCES (according to EN 13830)

Air permeability:	up to AE 1200 Pa
Water tightness:	up to RE 1500 Pa
Wind pressure resistance:	up to 3000 Pa
Burglary resistance:	RC1N, RC2N, RC2, RC3
Impact resistance:	I5/E5
Thermal performance:	U _f down to 0.52 W/m ² K U _{cw} up to 0.74 W/m ² K (with U _g = 0.5 W/m ² K)
Acoustic performance:	R _w (C;C _{tr}) = 43 (-1 ; -3) dB

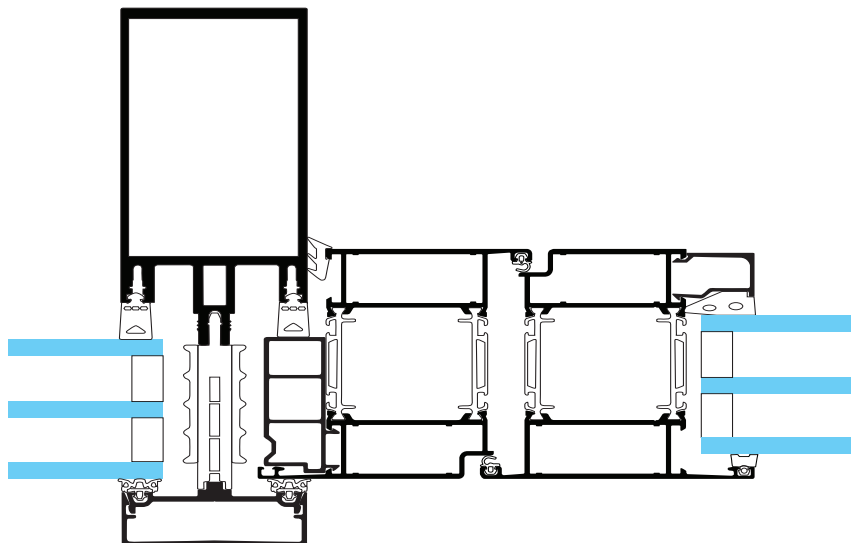


By  Hydro

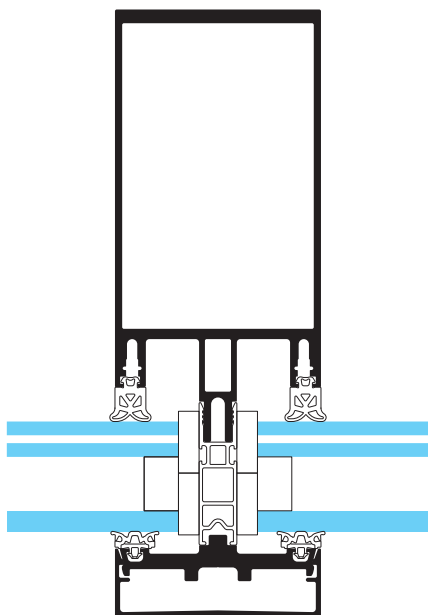
APPLICATIONS



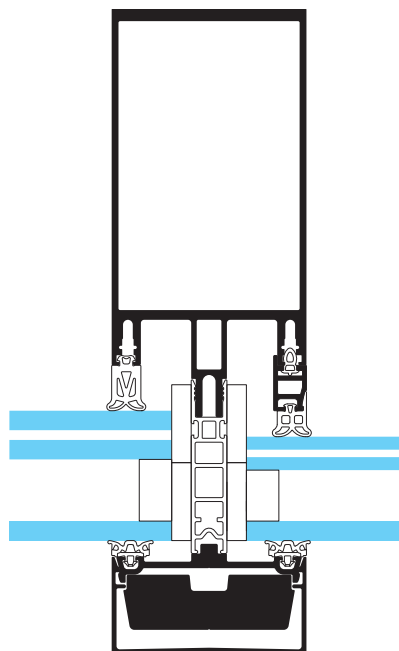
TENTAL 60 high insulation level



TENTAL 60 with connection to door 2086



TENTAL resistance class level 2



TENTAL resistance class level 3

XXXX.XXX - May 2024 - Document non contractuel

Hydro Building Systems Lithuania UAB
Kirtimų g. 47, Vilnius
LT-02244, Lithuania
www.sapabuildingsystem.com



By  Hydro