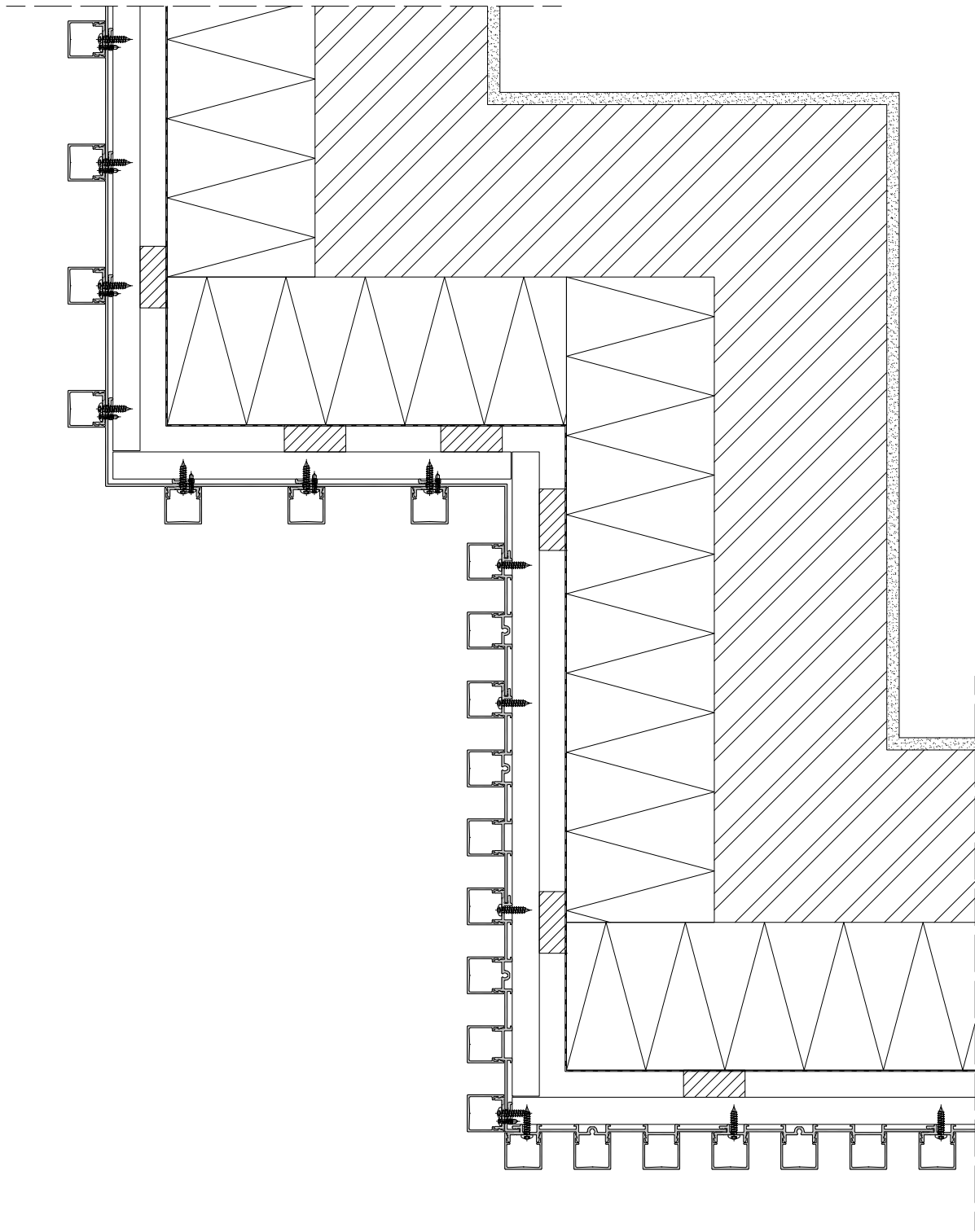
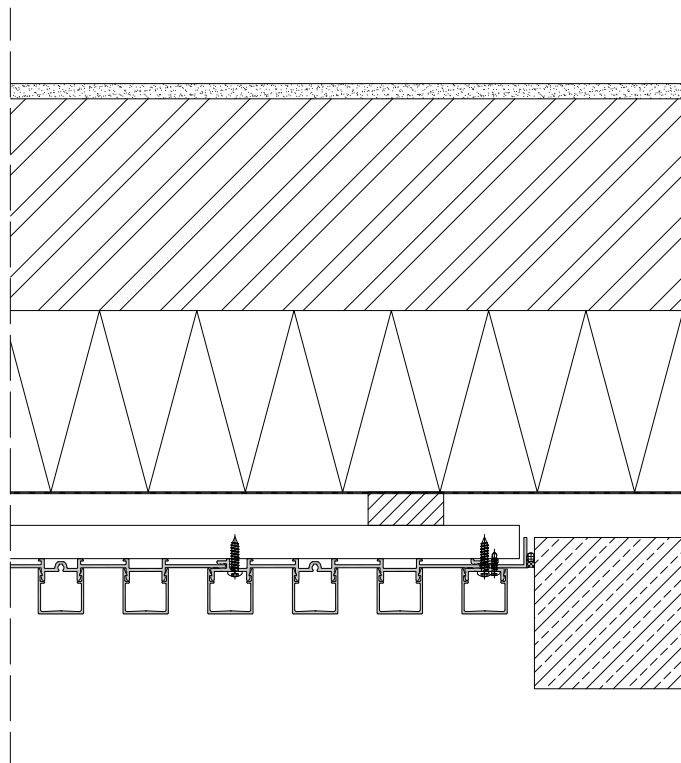


The reproduction, distribution and utilization of this document as well as the communication of its contents to others without express authorization is prohibited. Offenders will be held liable for the payment of damages. All rights reserved in the event of the grant of a patent, utility model or design.



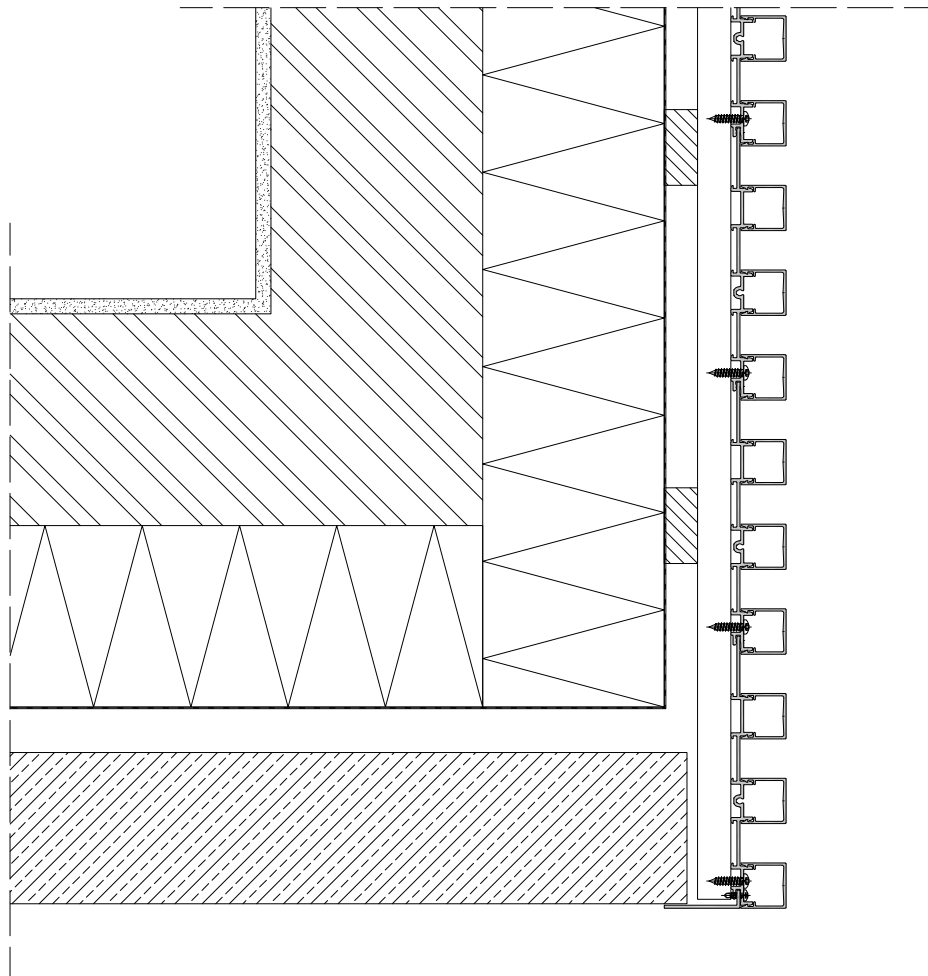
| | | | | |
|---|------|--|-----------|--------------------------|
| Project Name | | Layout | | / |
| Project Number | | 01_001 | | |
| Customer | | | | |
|  | | Series Gevelbekledingsprofielen | | Format A4-P Scale 1:5 |
| | | Snede horizontaal - Wand Description | | |
| Originator | | Hydro Building Systems Netherlands bv | | Revision |
| Date | Name | | | |
| 07/10/2024 | | NL-5151 | RW Drunen | A |
| | | | | |

The reproduction, distribution and utilization of this document as well as the communication of its contents to others without express authorization is prohibited. Offenders will be held liable for the payment of damages. All rights reserved in the event of a patent, utility model or design.

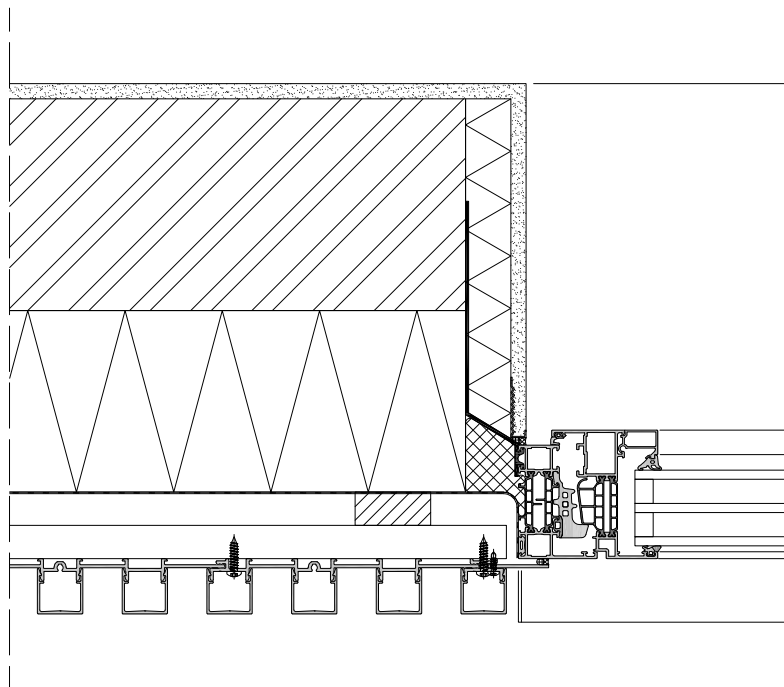


| | | | | | | | |
|---|------|---------------------------------------|--|---------------------------|--|-------------|--|
| Project Name | | | | Layout | | / | |
| Project Number | | | | 01_002 | | | |
| Customer | | | | | | | |
|  | | | Series Gevelbekledingsprofielen | | | Format A4-P | |
| | | | Snede horizontaal - Aansluiting gevelsteen Description | | | Scale 1:5 | |
| Originator | | Hydro Building Systems Netherlands bv | | Item ID | | Revision | |
| Date | Name | Alcoalaan 1 | | Doc ID Snedes_brochure_v4 | | A | |
| 07/10/2024 | | NL-5151 RW Drunen | | | | | |

The reproduction, distribution and utilization of this document as well as the communication of its contents to others without express authorization is prohibited. Offenders will be held liable for the payment of damages. All rights reserved in the event of a patent, utility model or design.

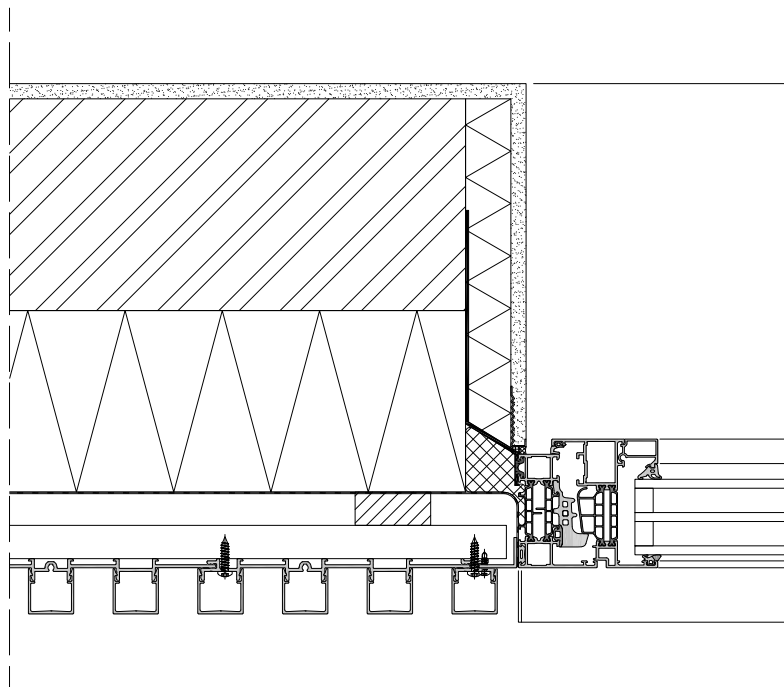


| | | | | | | | |
|---|------|---------------------------------------|---|---------------------------|--|-------------|--|
| Project Name | | | | Layout | | / | |
| Project Number | | | | 01_003 | | | |
| Customer | | | | | | | |
|  | | | Series Gevelbekledingsprofielen | | | Format A4-P | |
| | | | Snede horizontaal - Aansluiting gevelsteen buitenhoek Description | | | Scale 1:5 | |
| Originator | | Hydro Building Systems Netherlands bv | | Item ID | | Revision | |
| Date | Name | Alcoalaan 1 | | Doc ID Snedes_brochure_v4 | | A | |
| 07/10/2024 | | NL-5151 RW Drunen | | | | | |



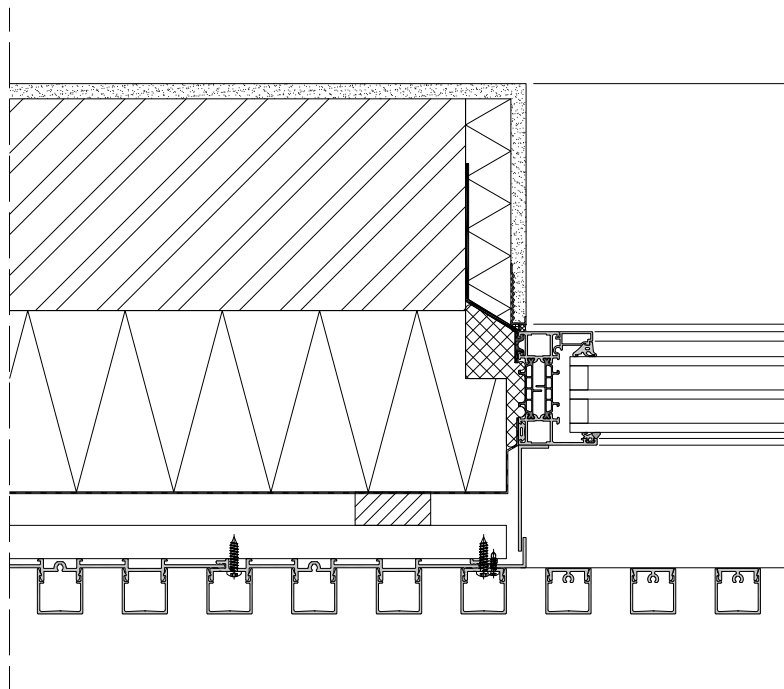
| | | | | | | | |
|---|------|---------------------------------------|---|---------------------------|--|-------------|--|
| Project Name | | | | Layout | | / | |
| Project Number | | | | 01_004 | | | |
| Customer | | | | | | | |
|  | | | Series Gevelbekledingsprofielen | | | Format A4-P | |
| | | | Snede horizontaal - Aansluiting kozijn (variant 1) Description | | | Scale 1:5 | |
| Originator | | Hydro Building Systems Netherlands bv | | Item ID | | Revision | |
| Date | Name | Alcoalaan 1 | | Doc ID Snedes_brochure_v4 | | A | |
| 07/10/2024 | | NL-5151 RW Drunen | | | | | |

The reproduction, distribution and utilization of this document as well as the communication of its contents to others without express authorization is prohibited. Offenders will be held liable for the payment of damages. All rights reserved in the event of a patent, utility model or design.



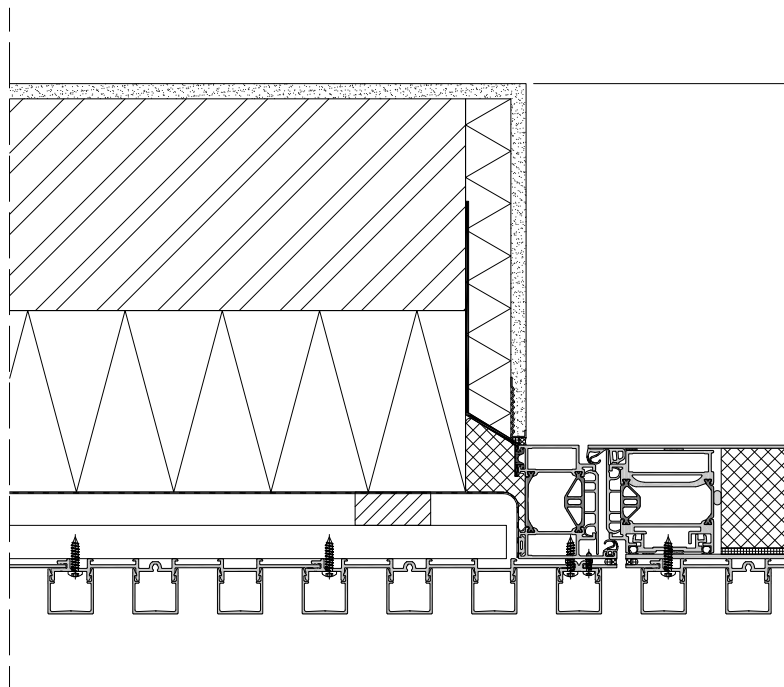
| | | | | | | | |
|---|------|---------------------------------------|--|---------------------------|--|-------------|--|
| Project Name | | | | Layout | | / | |
| Project Number | | | | 01_005 | | | |
| Customer | | | | | | | |
|  | | | Series Gevelbekledingsprofielen | | | Format A4-P | |
| | | | Snede horizontaal - Aansluiting kozijn (variant 2) Description | | | Scale 1:5 | |
| Originator | | Hydro Building Systems Netherlands bv | | Item ID | | Revision | |
| Date | Name | Alcoalaan 1 | | Doc ID Snedes_brochure_v4 | | A | |
| 07/10/2024 | | NL-5151 RW Drunen | | | | | |

The reproduction, distribution and utilization of this document as well as the communication of its contents to others without express authorization is prohibited. Offenders will be held liable for the payment of damages. All rights reserved in the event of a patent, utility model or design.



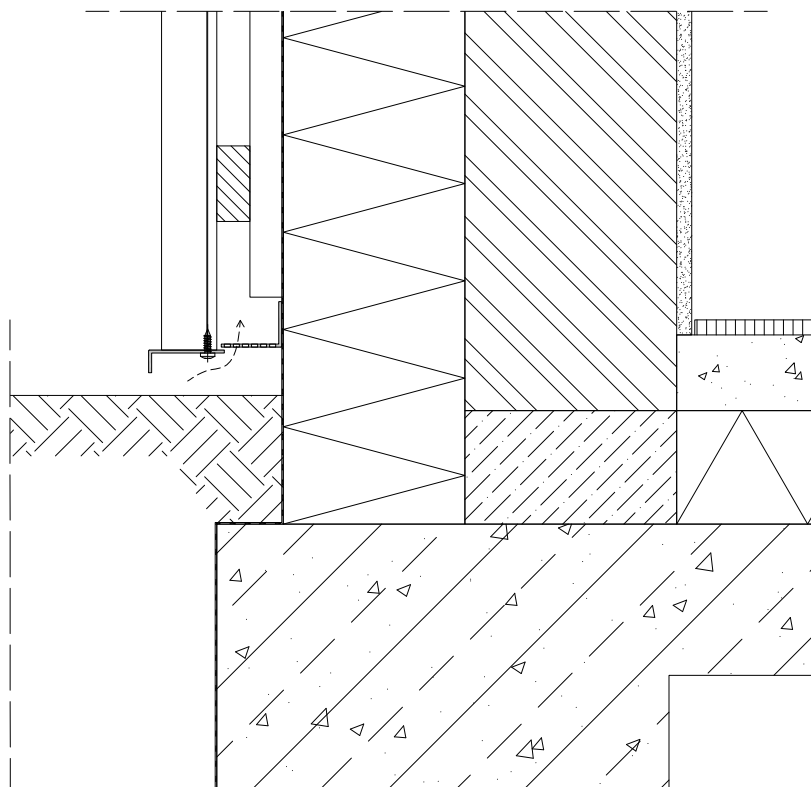
| | | | | | | | |
|---|------|--|--|---------------------------|--|-------------|--|
| Project Name | | | | Layout | | / | |
| Project Number | | | | 01_006 | | | |
| Customer | | | | | | | |
|  | | Series Gevelbekledingsprofielen | | | | Format A4-P | |
| | | Snede horizontaal - Aansluiting kozijn (variant 3) Description | | | | Scale 1:5 | |
| Originator | | Hydro Building Systems Netherlands bv | | Item ID | | Revision | |
| Date | Name | Alcoalaan 1 | | Doc ID Snedes_brochure_v4 | | A | |
| 07/10/2024 | | NL-5151 RW Drunen | | | | | |

The reproduction, distribution and utilization of this document as well as the communication of its contents to others without express authorization is prohibited. Offenders will be held liable for the payment of damages. All rights reserved in the event of a patent, utility model or design.

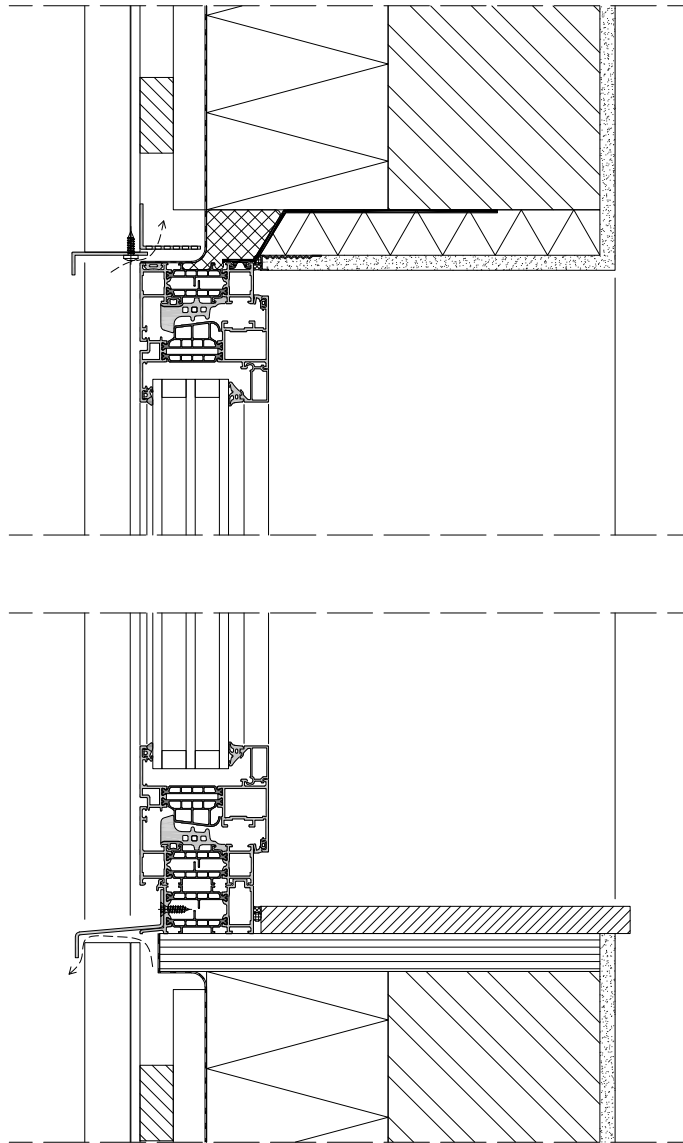


| | | | | | | | |
|---|------|---------------------------------------|--|---------------------------|--|-------------|--|
| Project Name | | | | Layout | | / | |
| Project Number | | | | 01_007 | | | |
| Customer | | | | | | | |
|  | | | Series Gevelbekledingsprofielen | | | Format A4-P | |
| | | | Snede horizontaal - Aansluiting paneeldeur Description | | | Scale 1:5 | |
| Originator | | Hydro Building Systems Netherlands bv | | Item ID | | Revision | |
| Date | Name | Alcoalaan 1 | | Doc ID Snedes_brochure_v4 | | A | |
| 07/10/2024 | | NL-5151 RW Drunen | | | | | |

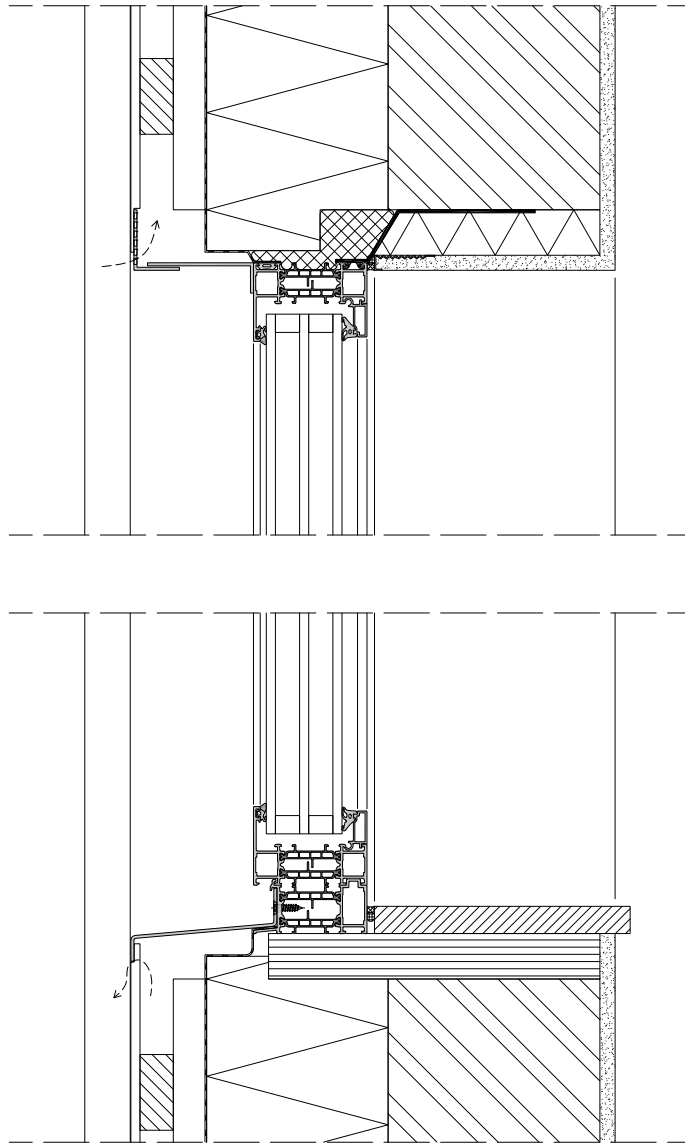
The reproduction, distribution and utilization of this document as well as the communication of its contents to others without express authorization is prohibited. Offenders will be held liable for the payment of damages. All rights reserved in the event of a patent, utility model or design.



| | | | | | | | |
|---|------|---------------------------------------|---|---------------------------|--|--------------------------------|--|
| Project Name | | | | Layout | | / | |
| Project Number | | | | 01_008 | | | |
| Customer | | | | | | | |
|  | | | Series Gevelbekledingsprofielen | | | Format A4-P Scale 1:5 | |
| | | | Snede verticaal - Maaiveld Description | | | | |
| Originator | | Hydro Building Systems Netherlands bv | | Item ID | | Revision | |
| Date | Name | Alcoalaan 1 | | Doc ID Snedes_brochure_v4 | | A | |
| 07/10/2024 | | NL-5151 RW Drunen | | | | | |

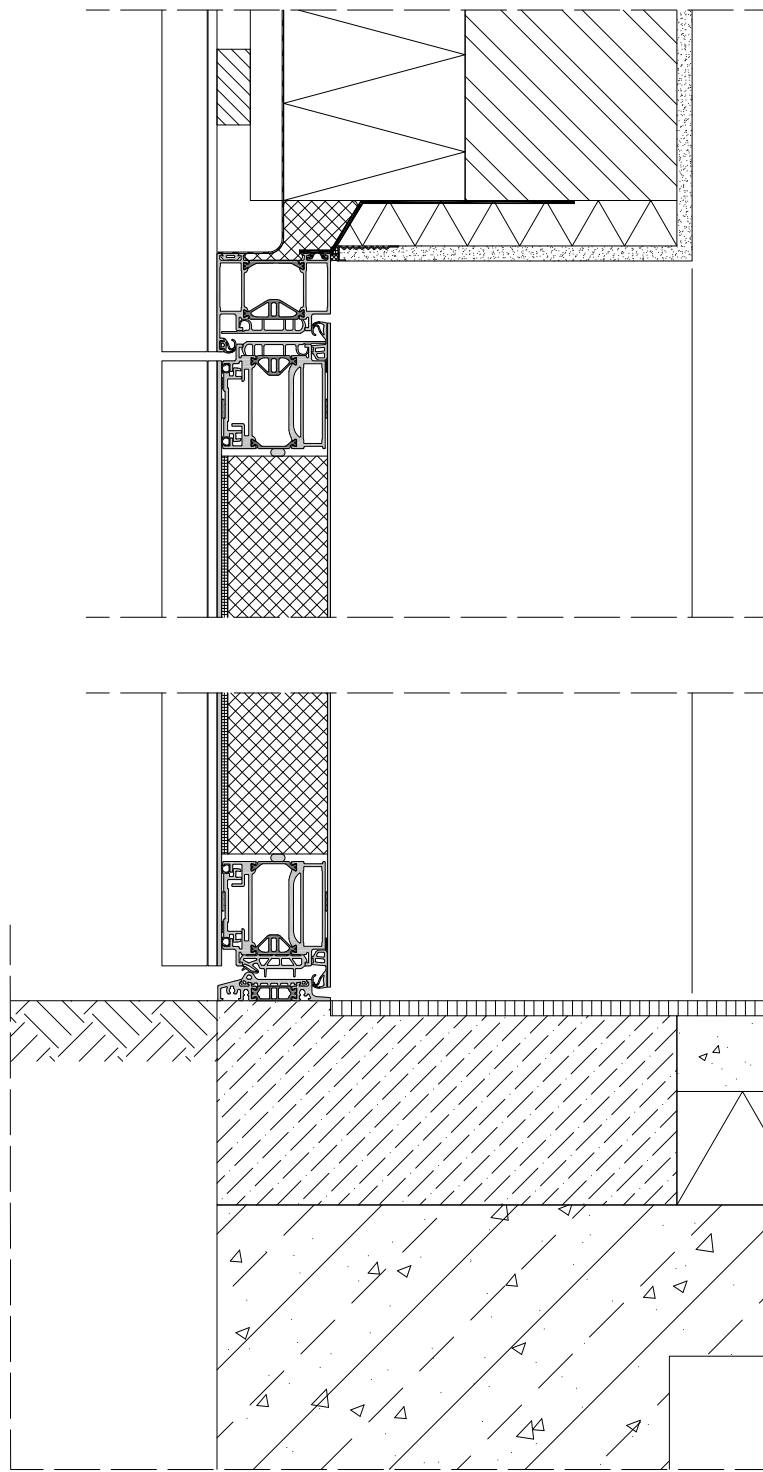


| | | | | | | | |
|---|------|---------------------------------------|--|---------------------------|--|-------------|--|
| Project Name | | | | Layout | | / | |
| Project Number | | | | 01_009 | | | |
| Customer | | | | | | | |
|  | | | Series Gevelbekledingsprofielen | | | Format A4-P | |
| | | | Snede verticaal - Aansluiting kozijn (variant 1) | | | Scale 1:5 | |
| Originator | | Hydro Building Systems Netherlands bv | | Item ID | | Revision | |
| Date | Name | Alcoalaan 1 | | Doc ID Snedes_brochure_v4 | | A | |
| 07/10/2024 | | NL-5151 RW Drunen | | | | | |

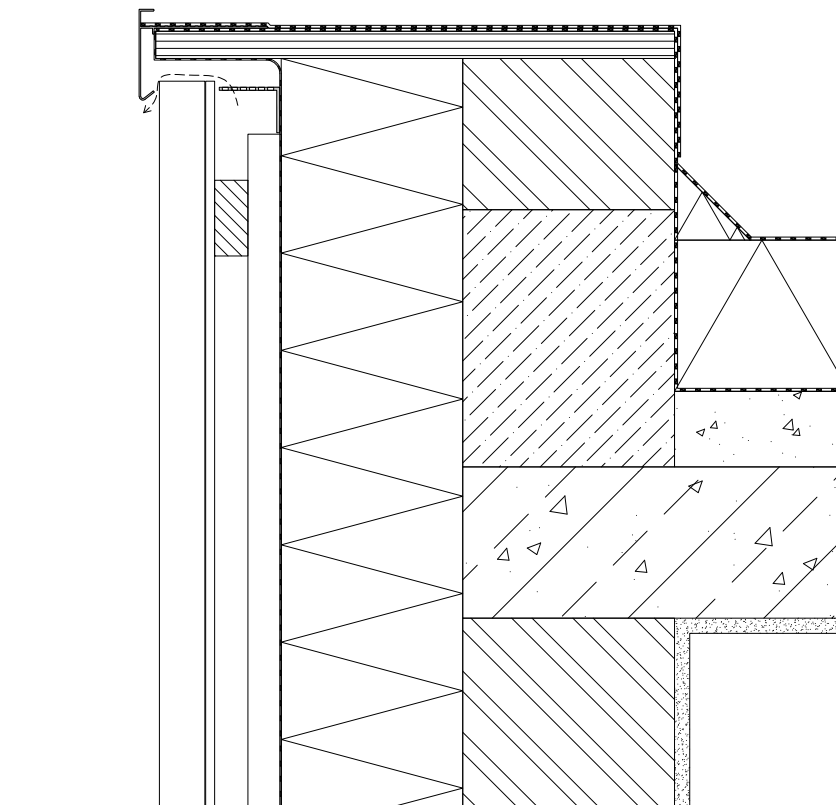


| | | | | | | | |
|---|------|---------------------------------------|---|---------------------------|--|-------------|--|
| Project Name | | | | Layout | | / | |
| Project Number | | | | 01_010 | | | |
| Customer | | | | | | | |
|  | | | Series Gevelbekledingsprofielen | | | Format A4-P | |
| | | | Snede verticaal - Aansluiting kozijn (variant 3) Description | | | Scale 1:5 | |
| Originator | | Hydro Building Systems Netherlands bv | | Item ID | | Revision | |
| Date | Name | Alcoalaan 1 | | Doc ID Snedes_brochure_v4 | | A | |
| 07/10/2024 | | NL-5151 RW Drunen | | | | | |

The reproduction, distribution and utilization of this document as well as the communication of its contents to others without express authorization is prohibited. Offenders will be held liable for the payment of damages. All rights reserved in the event of a patent, utility model or design.



| | | | | |
|---|------|--|-----------|--------------------------|
| Project Name | | Layout | | / |
| Project Number | | 01_011 | | |
| Customer | | | | |
|  | | Series Gevelbekledingsprofielen | | Format A4-P Scale 1:5 |
| | | Snede verticaal - Aansluiting paneeldeur | | |
| Originator | | Hydro Building Systems Netherlands bv | | Revision |
| Date | Name | | | |
| 07/10/2024 | | NL-5151 | RW Drunen | A |
| | | | | |



| | | | | | |
|---|------|--|-----------|----------------|--------------------|
| Project Name | | | | Layout | / |
| Project Number | | | | 01_012 | |
| Customer | | | | | |
|  | | Series Gevelbekledingsprofielen | | Format A4-P | Scale 1:5 |
| | | Snede verticaal - Dakrand Description | | | |
| Originator | | Hydro Building Systems Netherlands bv | | Revision | |
| Date | Name | Alcoalaan 1 | | A | |
| 07/10/2024 | | NL-5151 | RW Drunen | Doc ID | Snedes_brochure_v4 |